



ALTENMOTM
Alternate Energy & Motions

Elevate your Living Standards with Altenmo's **LuxEco** Home Elevator



ALTENMO TECHNOLOGIES PVT. LTD.

Regd. Office & Factory : 13/1, Panchratna Industrial Estate, Near Ramol Bridge, Vatva, Ahmedabad-382445, Gujarat. India
Tel. No. - (079) 65437316, Fax : (079) 25890879, Web.: www.altenmo.com, E-mail : info@altenmo.com /altenmoindia@gmail.com

LuxEco - A complete set of ready to install Home elevator Kit delivering Highest Safety with Luxury

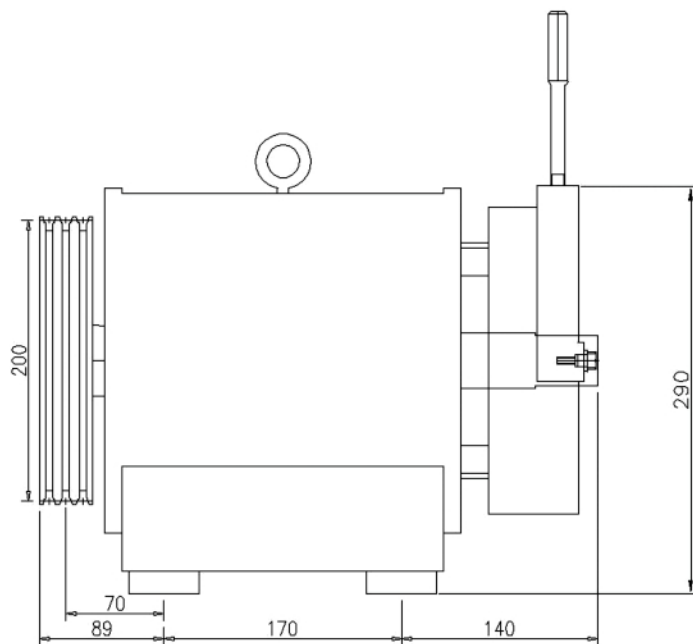
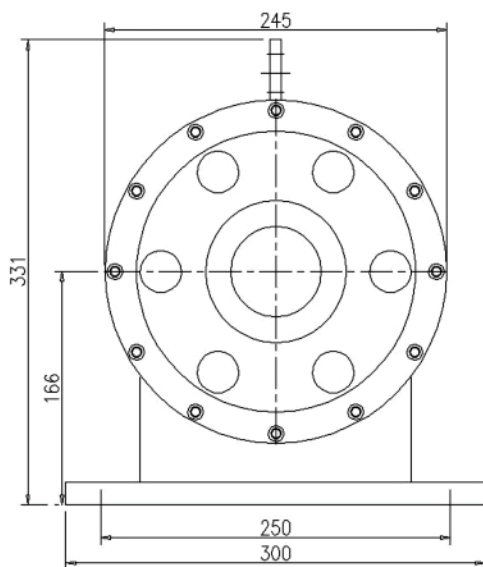
Gearless Machine - Technical Features

Machine Type	Rated Load (kg)	Max. Passenger Capacity	Rated Speed (m/s)	Sheave Dia (mm)	Rope (mm xNo.)	RPM	Rated Torque (Nm)	Rated Power (Kw)	Static Load (Kg)
AL-Mini	300	4	0.3	100	4x4	115	65	0.8	1000
AL-Mini	300	4	0.4	200	6x4	76	110	0.9	1000

Notes

- ◆ Duty Cycle: S3- 40%, 120 Starts/Hour
- ◆ Hoistway Efficiency : 85%
- ◆ Car Weight \leq 300 Kg
- ◆ Specifications may change without prior notice
- ◆ Roping – 2:1
- ◆ Power Supply Input: 230V, 1ph or 3 Ph, 50HZ
- ◆ Rise \leq 15 m

Dimensional Details



ALTENMO TECHNOLOGIES PVT. LTD.

Regd. Office & Factory : 13/1, Panchratna Industrial Estate, Near Ramol Bridge, Vatva, Ahmedabad-382445, Gujarat. India
 Tel. No. - (079) 65437316, Fax : (079) 25890879, Web.: www.altenmo.com, E-mail : info@altenmo.com / altenmoindia@gmail.com

