



ALTENMOTM
Alternate Energy & Motions

Gearless Machines



ALTENMO TECHNOLOGIES PVT. LTD.

Regd. Office & Factory : 13/1, Panchratna Industrial Estate, Near Ramol Bridge, Vatva, Ahmedabad-382445, Gujarat. India
Tel. No. - (079) 65437316, Fax : (079) 25890879, Web.: www.altenmo.com, E-mail : info@altenmo.com / altenmoindia@gmail.com



ALTENMO Incomparable Strengths

ALTENMO Lift Range



Energy Saving

Upto 40 % Energy saving Compare to Traditional Traction Machines



Environmental Protection

Low Energy Consumption which lower overall carbon footprint across the Elevator's Life Cycle.



Smooth Running

Smooth & Quiet ride for Energy Efficient, Cleaner & more Compact Elevators.



Flexibility

Matched Inverter with our gearless machines with all necessary paramaters.



Easy Maintenance

Easy sheave replacement and wire rope for maintenance.



Efficient

High Efficient Gearless Machines for New Lifts and Modernisation.



Safety

Dual Circuit Brakes ensure maximum safety against Uncontrolled Car Movement



Compact

Miniaturization for MRL Elevators.



Quality Assurance

Comprehensive quality control to provide best product.



Proven Reliability

Independently designed, developed & Manufactured Premium Quality Gearless machines for Premium Quality Elevators

Machine Type	Rated Load (kg)	Roping	Rated Speed (m/s)	Sheave Dia (mm)	Rope (mm xNo.)	RPM	Rated Torque (Nm)	Rated Power (Kw)	Static Load (Kg)
AL-S	320	2:1	0.63-1.00	320	8 x 4	75-120	188	1.5-2.4	1200
AL-S	450	2:1	0.63-1.0-1.6	240	6.5 x 5	100 - 159 - 255	190	2 - 3.2 - 5.1	1200
AL-S	450	2:1	0.63-1.0-1.6	320	8 x 4	75 - 120 - 191	245	1.9 - 3.1 - 4.9	1400
AL-S	630	2:1	0.63-1.0-1.6	240	6.5x5	100 - 159 - 255	250	2.6 - 4.2 - 6.7	1400
AL-M	630	2:1	0.63-1.0-1.6	320	8x4	75 - 120 - 191	330	2.6 - 4.1 - 6.6	2400
AL-M	800	2:1	0.63-1.0-1.6	240	6.5x6	100 - 159 - 255	320	3.4 - 5.3 - 8.5	2400
AL-M	800	2:1	0.63-1.0-1.6	320	8x5	75 - 120 - 191	410	3.2 - 5.1 - 8.2	2400
AL-M	1000	2:1	0.63-1.0-1.6	240	6.5x7	100 - 159 - 255	390	4.1 - 6.5 - 10.4	2400
AL-L	1000	2:1	0.63-1.0-1.6	320	8x6	75 - 120 - 191	520	4.1 - 6.5 - 10.4	3500
AL-L	1200	2:1	0.63-1.0-1.6	320	8x7	75 - 120 - 191	625	4.9 - 7.9 - 12.5	3500
AL-XL	1350	2:1	0.63-1.0-1.6	320	8x8	75 - 120 - 191	650	5.1 - 8.2 - 13	3500

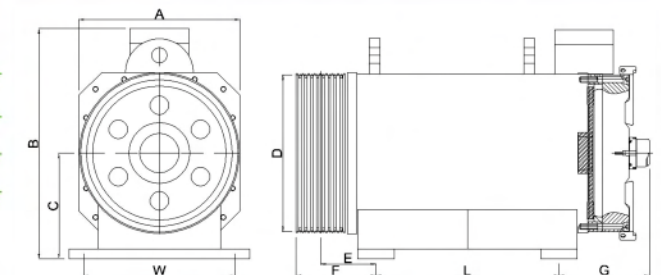
Notes

- ◆ Duty Cycle: 40%, 120 Starts/Hour
- ◆ Rope Compensation: 90%
- ◆ Single Wrap $\alpha = 180^\circ$
- ◆ Compensation chain is necessary for travel above 20m.
- ◆ Pl. contact us for 1:1 roping, speed different from the standard, Higher load or different pulley combinations.
- ◆ Specifications may change without prior notice
- ◆ Hoistway Efficiency : 85%
- ◆ Acceleration 0.5 m/s²
- ◆ Rise ≤ 20 m

Dimensional Details

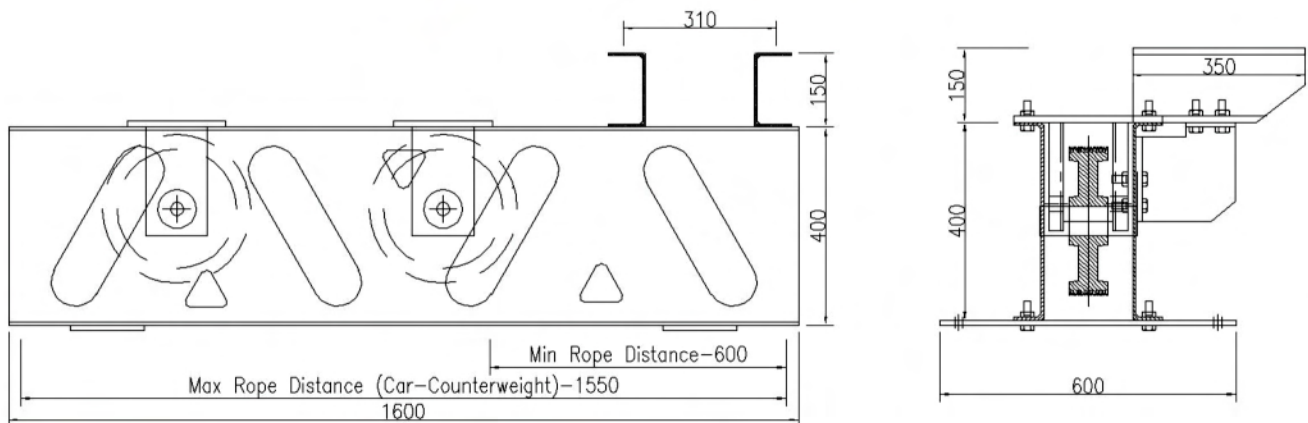
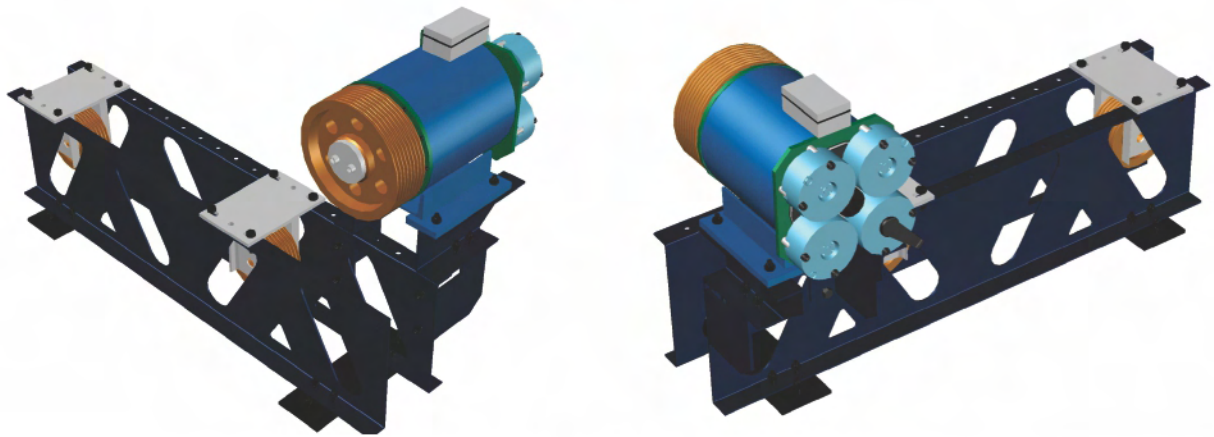
Type	A	B	C	W	L	D	E	F	G
AL-S	330	470	216	310	125	240 320	115	165	185
AL-M	330	470	216	310	175	240 320	115	165	185
AL-L	330	470	216	310	225	240 320	115	165	185
AL-XL	330	470	216	310	375	240 320	115	165	185

All dimensions (mm) are for 8 grooves.



Modernization Bed Frame

With ALTENMO Modernization Bed Frames, run your Elevator with increased efficiency, safety, comfort and proven reliability. With our easy and quick Modernization Bed Frame install latest gearless technology inside the existing shaft.



Features

- ✓ Highest Flexibility by world class Design
- ✓ High Level of Accuracy
- ✓ Reliability with High sturdiness
- ✓ Smooth & Quiet ride with improved safety
- ✓ Available in Left Hand & Right Hand Version
- ✓ Approved Safety Brake as per EN standards

Modernization Bed Frame Components

- ✓ Gearless Machine
- ✓ Machine Base Frame for 2:1 / 1:1 suspension.
- ✓ Integrated rope suspension and diverter pulley mounting for car and counterweight
- ✓ Protective Covers on Traction Sheave & Diverter Pulley
- ✓ Suitable Adaptors for Rope fastening (1:1 suspension) – Optional



ALTENMO TECHNOLOGIES PVT. LTD.

Regd. Office & Factory : 13/1, Panchratna Industrial Estate, Near Ramol Bridge, Vatva, Ahmedabad-382445, Gujarat. India
Tel. No. - (079) 65437316, Fax : (079) 25890879, Web.: www.altenmo.com, E-mail : info@altenmo.com / altenmoindia@gmail.com